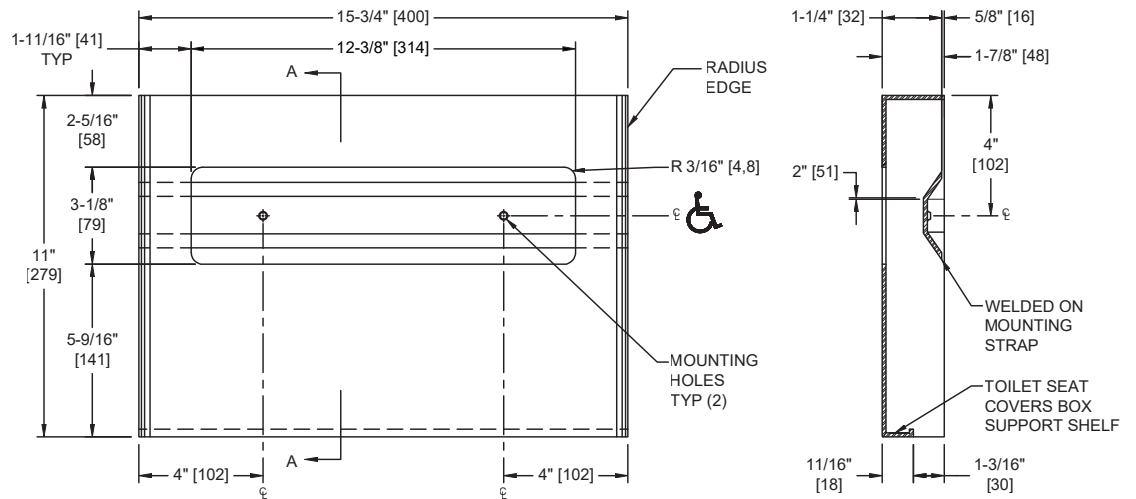


**Profile Collection Toilet Seat Cover Dispenser – Surface Mounted**

Specialty Accessories

Profile

MasterFormat Section 10 28 13



Scan for Information



**SUSTAINABILITY/LEED**

MR 4.1 (1) MR 6 (1) EQ 4.2 (1)  
MR 4.2 (1) EQ 4.1 (1) EQ 4.4 (1)

**NOTE:**  
ALL DIM'S INCH [MM]  
ILLUSTRATION FOR REF ONLY AND NTS

**PRODUCT OVERVIEW**

Surface mounted unit holds and dispenses 250 seat covers, fabricated of type 304 stainless steel. Covers are self-feeding until supply is depleted. Unit is manually reloaded with a full box through access door.

**KEY FEATURES & SPECIFICATIONS**

- Robust 16 Gauge Stainless Steel face
- Curved (radius) edges add elegance
- Type 304 Stainless Steel - Satin Finish
- Surface Mounted

**OPERATION & MAINTENANCE**

Covers are self-feeding until supply is depleted. Unit is manually reloaded with a full box through access door on schedule determined by maintenance requirements.

**TECHNICAL INFORMATION / PRODUCT PROPERTIES**

Property	Value
Dimensions	15-3/4" x 11" x 1-7/8" [400 x 279 x 48]
Construction	Type 304 Stainless Steel - Satin Finish
Mounting	Surface Mounted
Capacity	N/A

**INSTALLATION**

Unit is surface mounted in wall or partition using two (2) #10 self-threading screws (by others). Mounting holes are hidden behind dispenser box for vandal resistant locking but clearly accessible through dispenser slot for installation. For compliance with ADA Accessibility Guidelines, unit should be installed so that dispenser slot is 54" [1372] maximum Above Finished Floor (AFF) if clear floor side reach access is provided or 48" [1219] maximum AFF if clear floor forward reach access only is provided or 46" [1168] maximum AFF if side reach over an obstruction is only provided (i.e. water closet)

**ADDITIONAL INFORMATION**
**WARRANTY**

One (1) Year from date of Invoice